

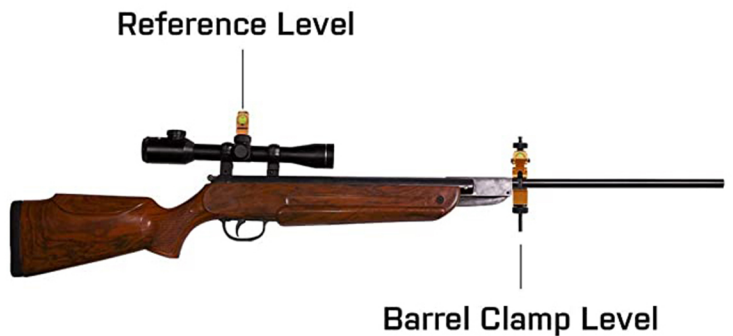
Rifle Reticle Leveling

This scope level can be installed on reference level and clamp level, which can effectively improve its measurement accuracy.

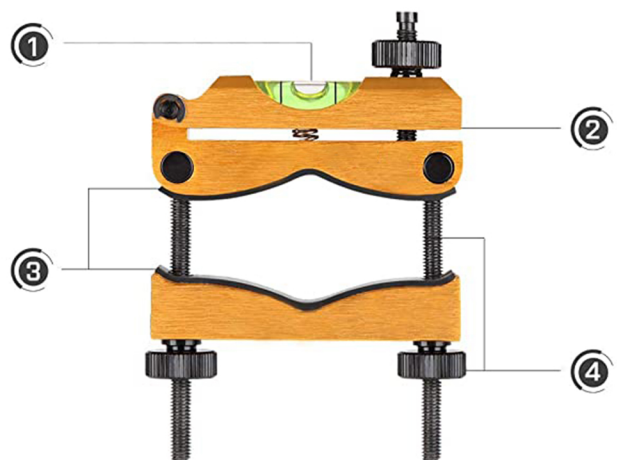
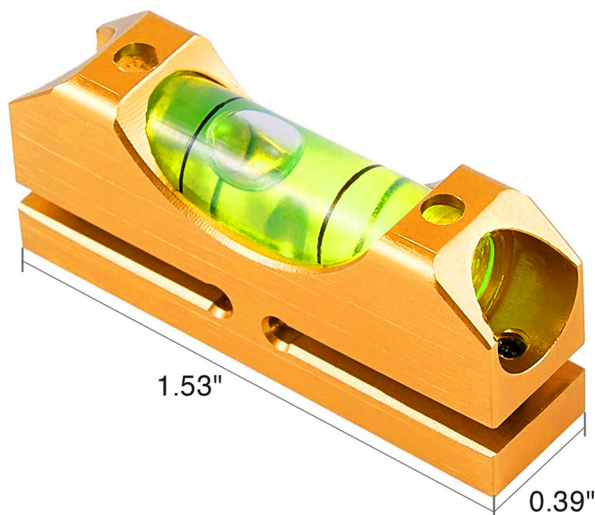
Features :

- The scope mounting kit is made by precision machined aluminum. The special material can effectively prevent wear and other problems, ensuring the scope leveling kit durability.
- The diameter of the clamp can be adjusted to fit all sizes.
- The scope mounted level has rubber pads on the contact points to effectively prevent wear.
- Adjustable bubble levels ensure its accuracy in case your chosen base is not perfectly flat and level for better stability.

Code: SPY2211014



Attention the placement of the reference level on a wide, flat area that is level with the receiver and that the level itself sits perpendicular to the rifle bore.



- ① A bubble level for precise measurement.
- ② Anodized precision machined aluminum ensures better durability of bubble levelers.
- ③ Rubber pads on the contact points of the clamps to prevent wear and tear.
- ④ Adjustable to fit almost all models, even the largest diameters.